



## Product size

## Summary

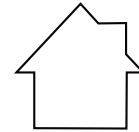
Packing list in	Quantity
Microwave Sensor Lamp	1X
 $\Phi 6$ Plastic Expand	3X
 3x30 Screw	3X

The product is simple, generous, small size, long life, can be used for family, bedroom, office buildings, classrooms, hallways and other relevant lighting places. When light on, the luminous flux will be more than 730 lm, equivalent to twice that of 60 watt incandescent lamp( $\approx 400$ lm). The service life is long hundreds of times higher than incandescent lamp. The product is one of the current most energy green energy-saving products, in normal circumstances the use of general for several years without maintenance.

## IP 44

Lampshade have two choices:

1. acrylic lampshade
2. glass lampshade



## Name of each part

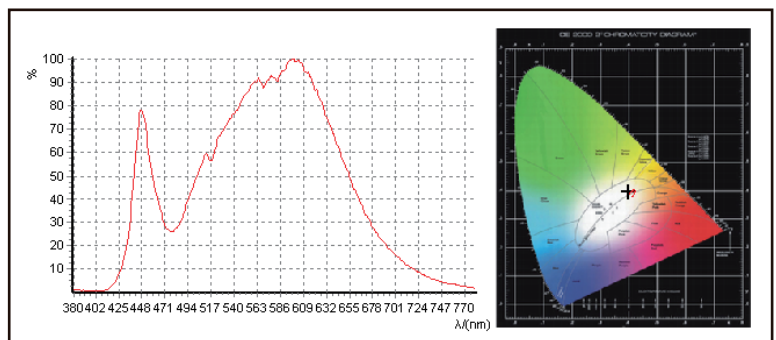


Lamps and lanterns base

## Specifications

Power source: 220 - 240V/AC  
 Power frequency: 50Hz  
 Installation: ceiling mount 2,5-3,5 m  
 LED quantity: 36 pcs  
 LED temperature : 4000K  
 LED power: 17W about 730lm without diffuser  
 Net weight: 1.48kg

## Spectrogram



- Step5 Fix the base of the product on the selected place with the screws (as Fig.5)

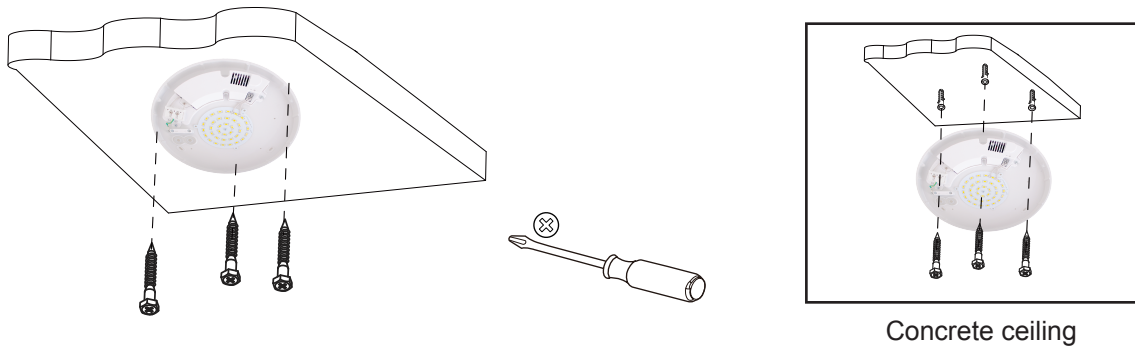


Fig.5

- Step6 Will rotate, cover chimney on base (as Fig.6)

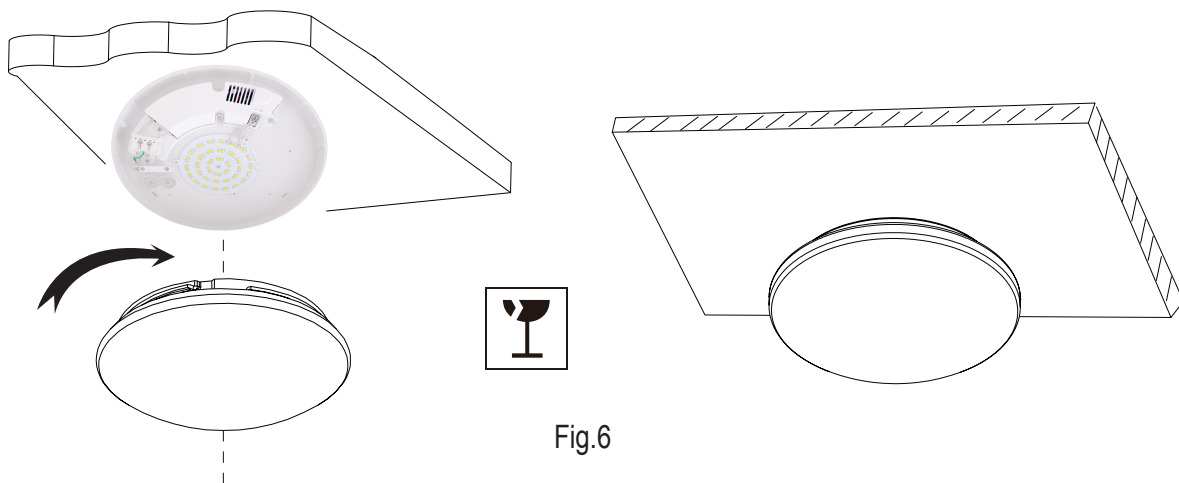


Fig.6



Application



## Procedure of installation



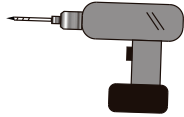
### Warning!

1. Please keep it away from the children.
2. Please avoid fire/high temperature/damp places for installation.
3. Please confirm when shut off the power cord access.

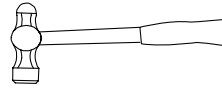
**Note:**Please bring the following tools



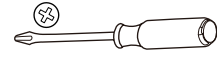
Pencil



Electric drill

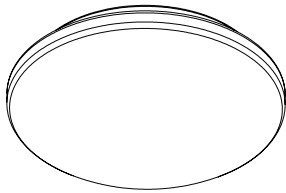


Hammer

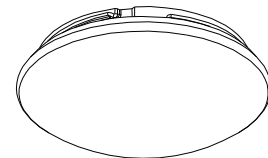


Screwdriver

- Step1 Rotating chimney down chimney(as follow: the product should be separated into two parts as A and B)  
NOTE: Chimney is fragile, please don't take too much force



**A**



**B**



Fig.1

- Step2 Put the base of the product on the ceiling to make the drilling mark (as Fig.2)
- Step3 Install the product on the place where you marked (as Fig.3)



Fig.2

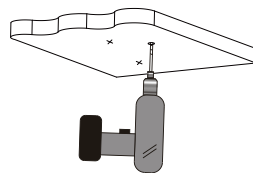
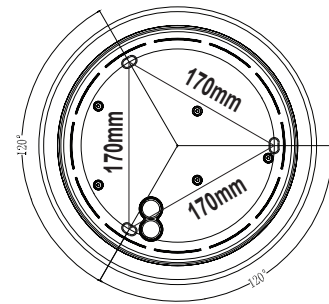


Fig.3



- Step4 Knock the plastic expansion screw into the hole which you drill (as Fig.4)

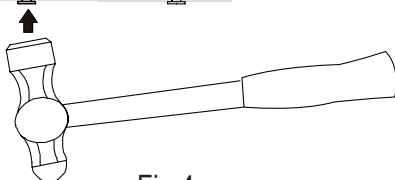
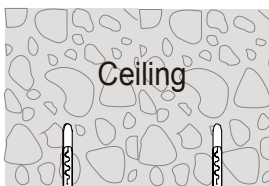


Fig.4



## **Warning!**

- 1.The LEDS in serial can function when all the seals installed in place.
- 2.Please don't remove or connect with other lamp when powered on.
- 3.When the LEDS in serial are damaged ,you need experienced technician to repair using the same rating LEDS.

Please confirm with profession installation.

Please cut off power supply before installation and removal operations.

Make sure that you have cut off the power for safety purposes.

Improper operation caused losses, the manufacturer does not undertake any responsibility.

We are committed to promoting the product quality and reliability, however, all the electronic components have certain probabilities to become ineffective, which will cause some troubles. When designing, we have paid attention to redundant designs and adopted safety quota to avoid any troubles.

This instruction, without our permission, should not be copied for any other purposes.

Kontakt:  
Elit OÜ  
Kadaka tee 74B  
12618 Tallinn  
Estonia  
+372 6229119